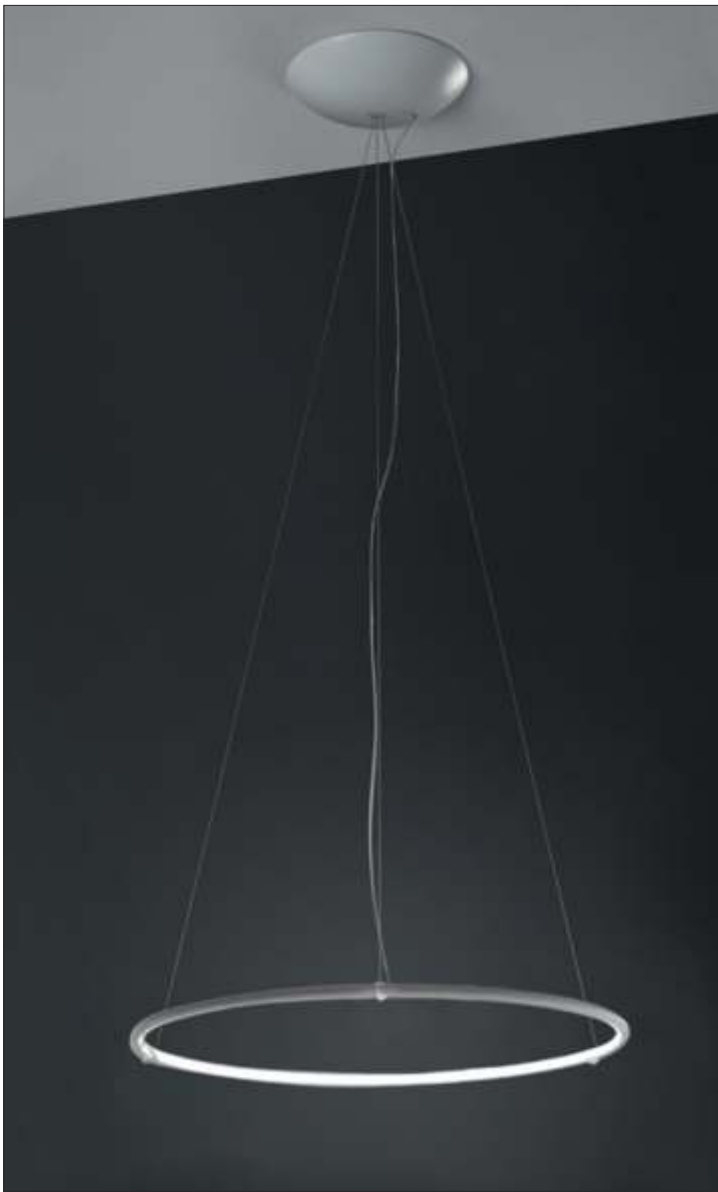


scheda tecnica - data sheet



PRGOOR
PRGOO

RGL
RG

LANCIA TONDA

1566

Paolo Peperè
2019

lampada da sospensione
suspension lamp

diffusore in policarbonato
opale corpo in alluminio
opal polycarbonate diffuser,
structure in aluminium

LED diffusa
LED diffuse

RUWOXPLRD
OLKWRXU

/W	/			
/WW				
/XW				

40

0,75 kg

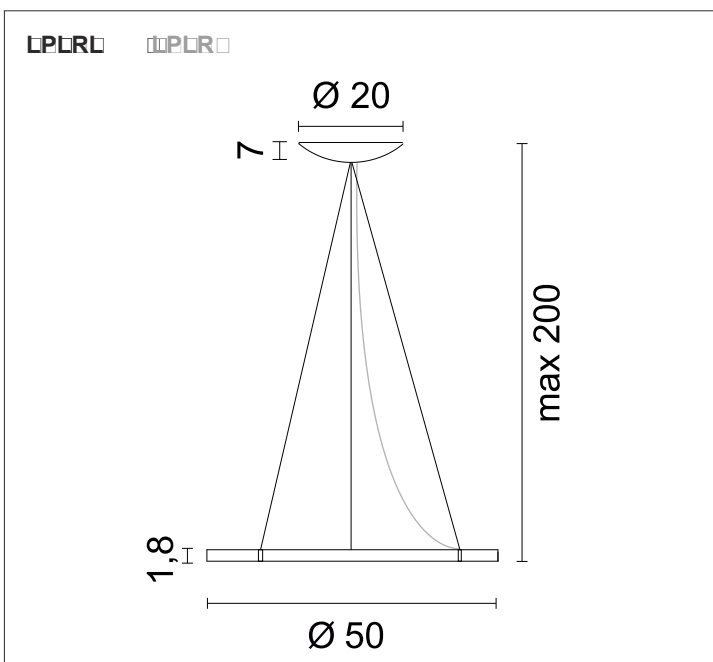
initure- inishes

.01 bianco	.01 white
.02 nero	.02 black
.25 dorato satinato	.25 satin golded
.31 cromato	.31 chromed
.85 verniciato argento	.85 painted silver
.86 verniciato oro	.86 painted gold
.87 verniciato rame	.87 painted coppe
.88 verniciato bronzo	.88 painted bronze

PDUDWXUD
PDUNL



LPEROLRWUXWWL
PERO



Dimmerabile su richiesta - *Dimmerable upon request*

Optional

0536

Attacco singolo cavi a soffitto
Single ceiling cable fixing

- .01 Bianco - White
- .02 Nero - Black
- .25 Dorato satinato - Satin gold
- .31 Cromato - Chromed



(2/8(UOLD,1WR&URLODR
WOIRRID
PDLOLIRROXRPKWWBOXRP